

Model: G1

Installation Manual

- Thank you for choosing our products. Please read the instructions carefully before installation and keep it available for future maintenance or reference.

Content

Installation

Safety instructions	01
Technical specification	03
List of materials	05
Technical drawing	06
Parts identification	07
Toilet installation	08
Preparation	10
Lid auto open/close	11
Foot sensor	12

Maintenance

Maintenance	13
1. Main unit care and maintenance	
2. Filter maintenance	
3. Spray nozzle maintenance and care	
Emergency troubleshooting	14
1. Power and water failure	
2. Product unused for a period of time	
3. Failure of remote control	
4. If the toilet with power off flush function	

Others





Description of the knob function	16
LED display description	17
Troubleshooting guide	18





Safety Instructions

Please read the instructions carefully before installation and keep it available for future maintenance or reference.

Failure to observe this instruction can cause body injury and property damage.

Symbol Illustration

 Warning	Indicates that failure to follow the instruction may cause serious injury or a fatal.
 Caution	Indicates that failure to follow the instruction may cause body injury or property damage.
	Prohibited activities
	Mandatory activities

 Warning	
	Do not throw cigarettes and other burning stuff into toilet, otherwise it might cause fire.
	<p>Never disassemble, repair or modify this product. Doing so may cause fire or electrical shock.</p> <p>Do not wash the main unit or electrical plug with water or detergent. Doing so may cause fire or electrical shock.</p> <p>Do not handle the electrical plug with wet hands. Doing so may cause electrical shock.</p> <p>It is prohibited to use other electric appliances in the same socket. It is forbidden to use the power extension or unstable loose outlet; otherwise it may cause fire or electrical shock.</p> <p>If the supply cord is damaged, it must be replaced by the manufacturer, its service agent or similarly qualified persons in order to avoid a hazard.</p> <p>This product is electric appliance, so it must be placed far away from water. Please don't drench urine and other liquid to it.</p> <p>Do not put hand or other staff over the outlet of air dryer or block the outlet of air dryer. Doing so may cause burn and electrical shock.</p> <p>Do not lay on side or upside the product during the electrical circuit, to avoid fire or burning.</p>
 Mandatory activities	<p>Do not install or use the product in wet places as steam room etc.</p> <p>This product must be reliably grounded, and ensure that the AC socket ground to the earth. The ground lead should be used three-pin socket. If you are unsure whether it is reliably grounded, a qualified electrician or maintenance personnel should help to check and ensure. The electrical power source socket wiring should be left null line and right fire line. Never reverse power line wiring.</p>

 Warning



This product should be used with 220V, 50Hz electrical current only, load current is at least 10A. Power plug must be equipped with ground fault circuit interrupter or ground fault electrical leakage protector or similar high sensitive, rapid type leakage switch (Rated sensitive current under 10mA).
It is recommended to use water-proof electrical outlet which should be installed in the place where is not easily got wet.
The old aging water supply hose can not be used, otherwise it might cause leakage, fire or electrical shock. Installation of the bidet seat should include specified components and new water supply hose.
When move the product from cold or wet environment into normal room temperature, wait for 2 hours until the condensation water is fully volatilized. Doing so can prevent the product from electrical short-circuit.

 Caution



When it thunders, it is strongly recommended to pull out the power plug.
Do not use the product in the places close to bathtub or water tank.
Do not place the product in water or other liquids.
Do not touch the product that has fallen into liquids, immediately pull out the power plug.
Do not stand on the ceramic toilet. Do not hit the ceramic. A heavy impact on ceramic leads to damage and water leakage.
Never embed ceramic toilet base in cementitious material (such as cement mortar). It may lead to expansion crack.
Do not stand on product unit, seat and lid.
Do not use lacquer thinner, petrol, liquid medicine, detergent, insecticide, toilet cleanser and scrubbing brush to clean the product.
Only use tap water or potable water; otherwise it may cause chafing.
Exposure to direct sunlight is prohibited.
This product is equipped with soft-closing seal lid. Heavy pressing or pushing may damage the soft-closing damper.
Do not connect the water inlet of the toilet to the outlet of water heater. The inlet water temperature of this toilet should be within 3~35°C. If the inlet water temperature is outside of this temperature range, the built-in heater may stop working. Do not lean against the seat lid when using the product, to avoid damage. Do not try flushing the newspaper, diapers, sanitary napkins and other items easy to clog the toilet.
Stop using the product and shut off the power when product malfunctions, please contact service people for professional service.



When installing, disassembling, repairing, and maintaining the product, you must unplug the power supply and close the water supply valve.
Do not use in an environment below 0°C. If the room temperature is below 0°C, the water in the tank must be discharged to prevent the tank from freezing. If it is not used for a long time, the power must be turned off and the water in the water tank should be discharged. When used by people (including children) who lack physical, sensory, intellectual abilities, or lack of experience and common sense, this product needs to be used under the supervision of a person, and patients with heart disease should use it with caution.
Do not let children play with this product.
To prevent damage caused by freezing, please implement warmth measures to increase the temperature of the toilet.

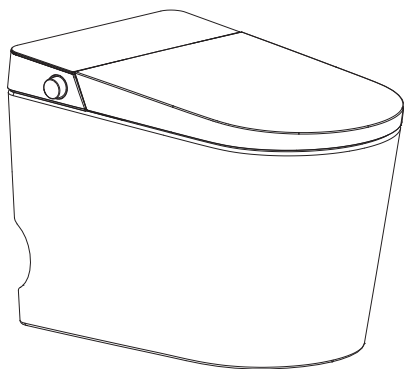
Technical specification

Main Unit	Rated voltage	220V, 50Hz
	Rated power	1070W
	Water proof	IPX4
	Power cord length	About 1.5m
Toilet	Flush volume	6.0L(full flush)/4.2L(half flush)
	Flushing mode	Siphonic jet
	Outlet height	180mm
	Outlet outside diameter	102mm
	Drainage method	P-trap
	Water pressure range	0.1MPa (static pressure, flow rate of 14.0+L/min) - 0.8MPa (static pressure)
Cleaning device	Heating mode	Instant
	Heating power	1600W
	Water temperature	6-level adjustment
	Water volume	3-level adjustment
	Cleaning mode	Rear washing / Oscillating washing, Front washing / Oscillating washing
	Nozzle position	5-level adjustment
	Water pressure protector	Pressure maintaining device, Automatic pressure relief device
	Anti-fouling device	Automatic nozzle cleaning, Anti-syphon device, Anti-backflow device, Filter device
	Safety device	Thermal fuse, Water temperature sensor, Ground protection, Thermostat, Leakage protection plug, Over temperature protection
Drying device	Warm air volume	Over 0.2m ³ /min
	Warm air temperature	6-level adjustment
	Heating power	250W
	Safety device	Thermal fuse, Temperature sensor, Thermostat

Sterilization	Sterilization device	Plasma sterilization	
Deodorization	Deodorization method	Photocatalyst-free	
Heated seat	Surface temperature	6-level adjustment	
	Heating power	50W	
	Burn protection	After 10 minutes of use, the seat temperature will automatically drop slowly to a low level	
	Safety device	Seat sensor, Temperature sensor, Thermal fuse, Leakage protection plug, Thermostat	
Caring device	Night light assembly	Intelligent, Always on, Always off	
	User ID setting	To avoid interference when used by multiple users	
	Automatic flushing	Automatic flushing after use	
	Power off flush (optional)	Toilet will be washed manually after power failure (This function is optional, please install the battery before use when it is available.)	
	Foot sensor flushing function (optional)	Foot sensor flushing	
Difference description	Lid opening	Soft close	Lid auto-open
		Antibacterial site	
		Seat, Nozzle	

Rated power: Under the condition of ambient temperature 23°C/73°F, water static pressure 0.18MPa±0.02MPa, water temperature 15°C/59°F, power toilet on, set water pressure, seat temperature, water temperature to the highest level in turn and perform one rear washing cycle.

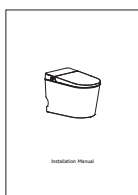
List of materials



Main Unit



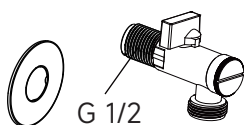
Remote Control Components



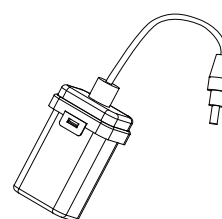
Installation Manual



Braided hose
(Installed)

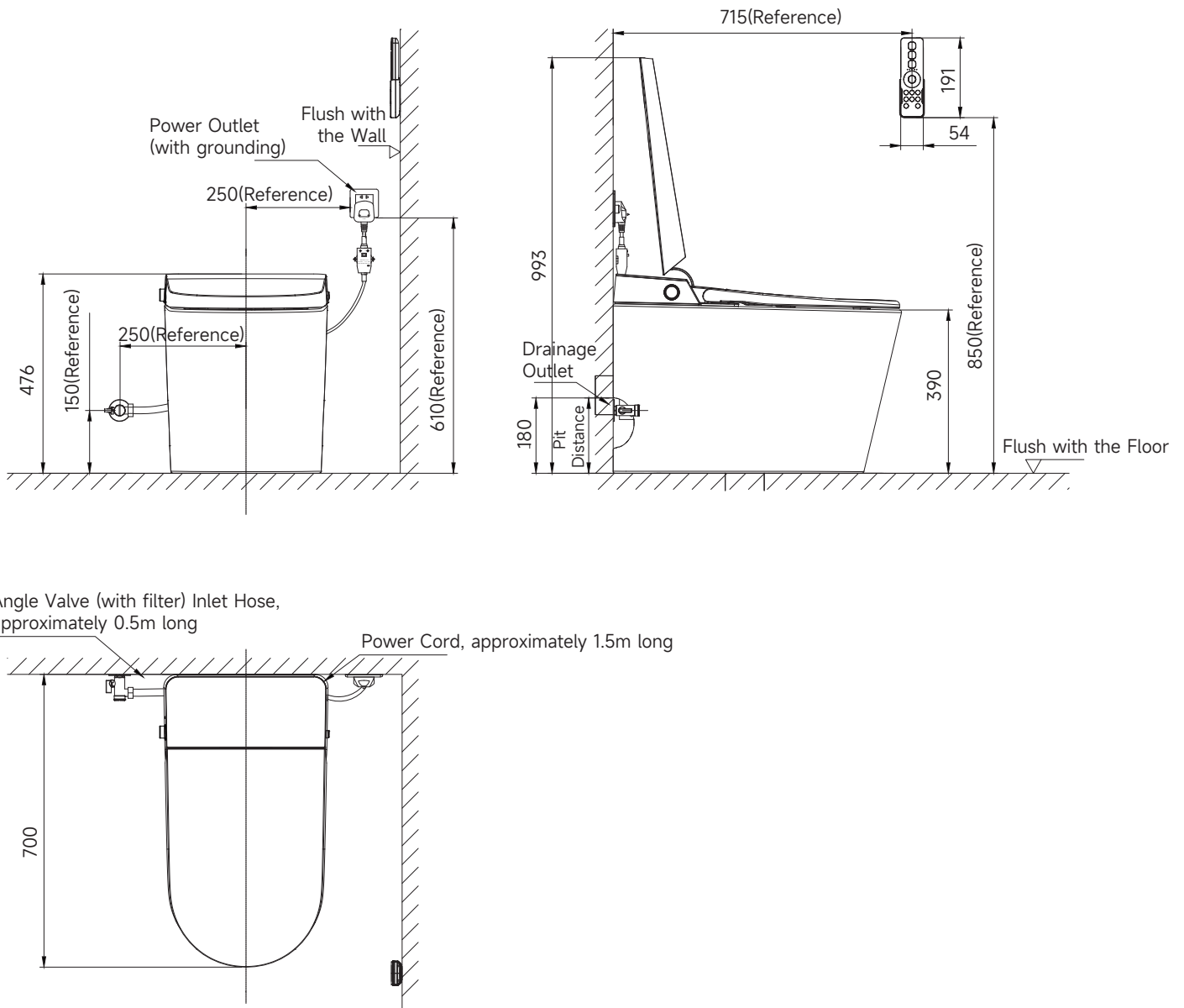


Angle Valve



Battery box (optional)

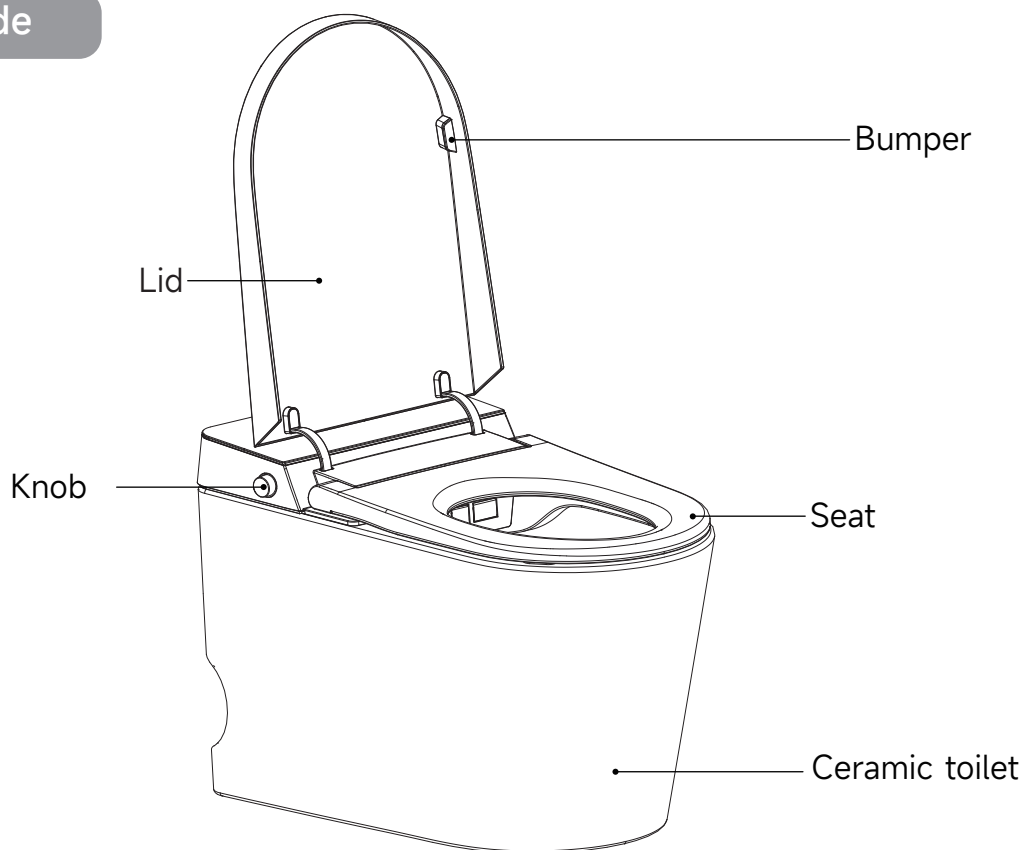
Technical drawing



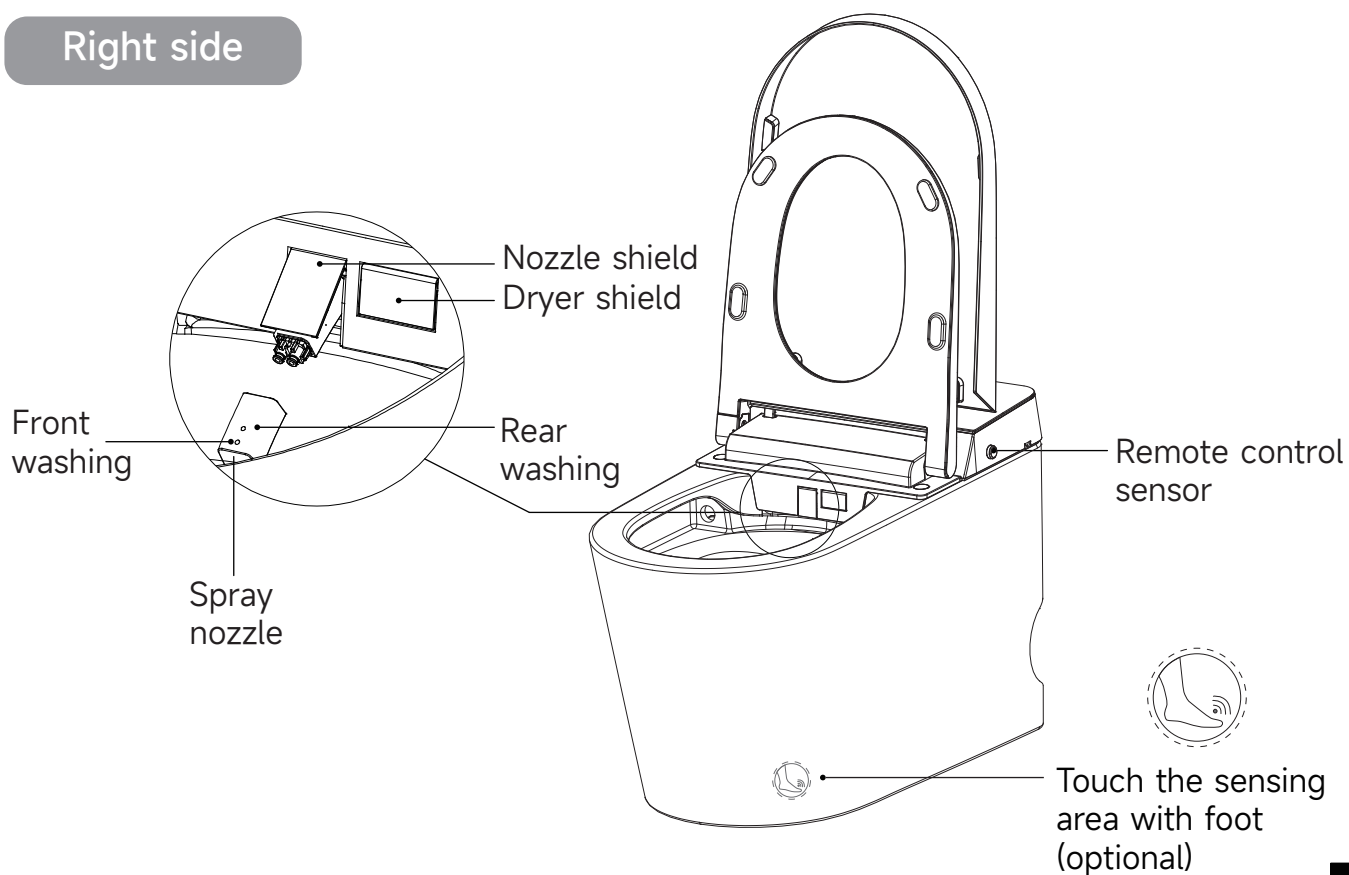
1. The drawing is for reference only, and we reserve the right to modify the product appearance.
2. Product appearance is subject to change in kind.

Parts identification

Left side



Right side

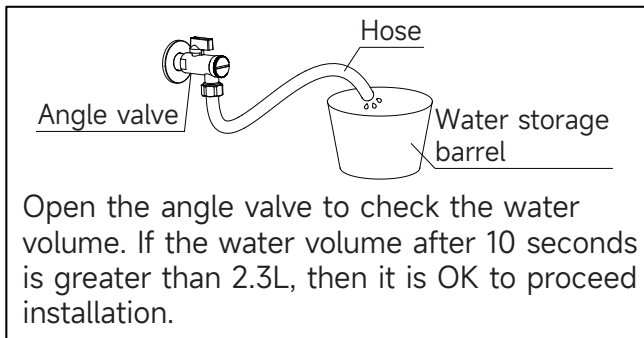


Toilet installation

⚠ Precaution before installing

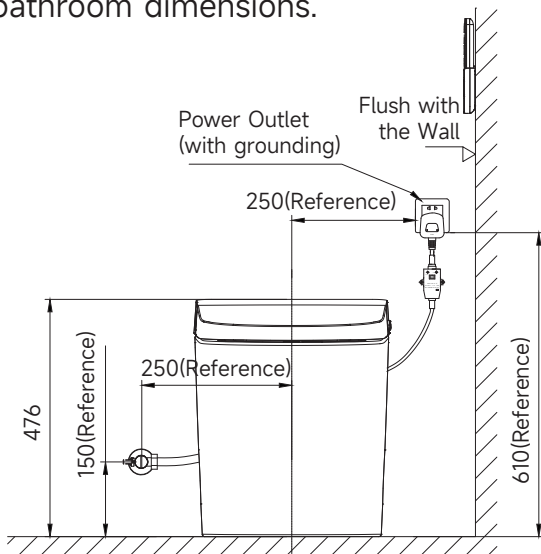
- Minimum static working water pressure: 0.1+MPa (14+L/min), failure to meet this pressure will not achieve the best flushing effect.

Note: Apply the methods below if you don't have water pressure testing device.

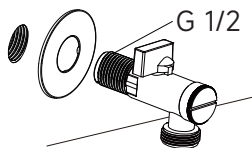


1. Installation of Angle Valve

- Refer to the installation dimension diagram and install the angle valve at an appropriate position on the wall according to the bathroom dimensions.



Installation Method:

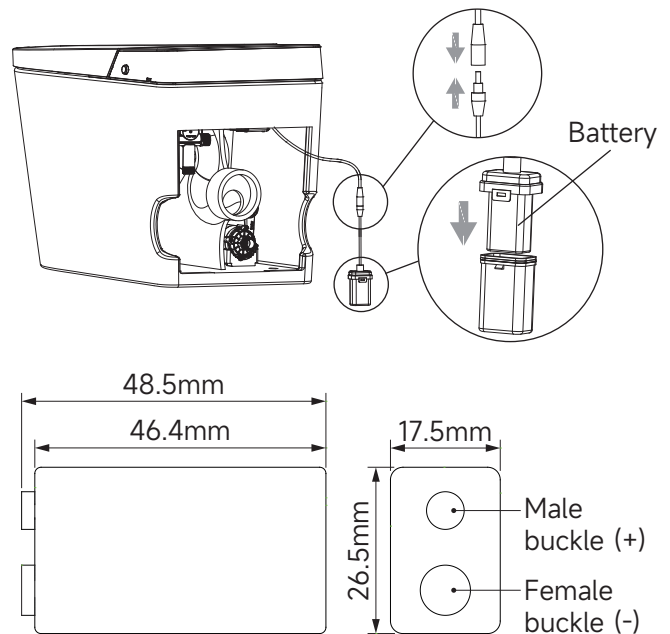


Note:

1. When installing this toilet, please use the provided angle valve. The use of other angle valves without filters may lead to blockages in the toilet and bidet waterways.
2. If replacing an existing angle valve, please consult a professional for installation.

2. Installation of battery box (Suitable for function with power off flush.)

- Before activating the power flushing function, insert the 9V battery into the battery box and cover the box lid in advance.
- Take out the battery connection cable from the back of the toilet seat and connect it to the female end of the battery box, ensuring it is securely fastened.
- Remove the adhesive from the bottom of the battery box and place it at the appropriate position on the ceramic bowl back for easy removal.

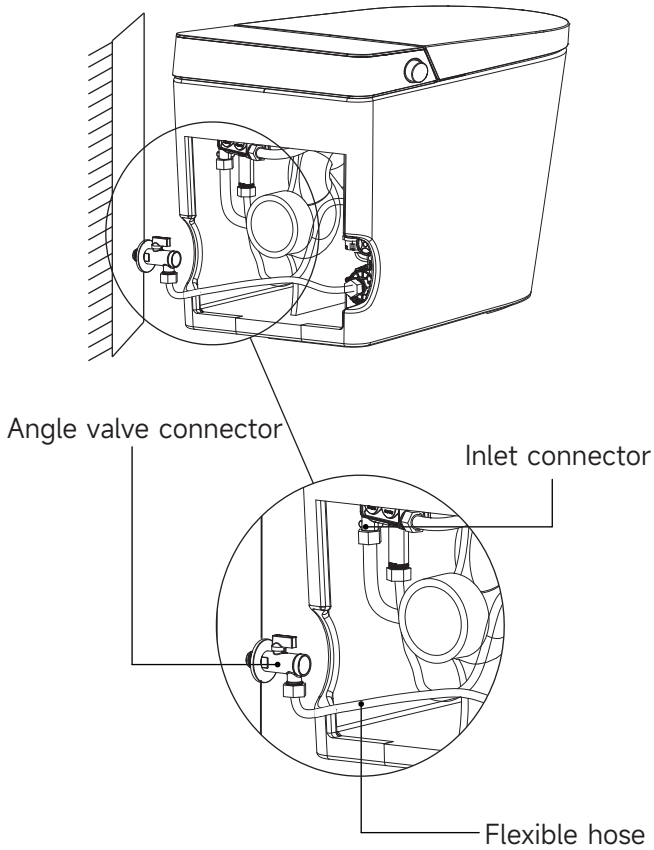


Note:

1. It is recommended to hire professional personnel for this operation.
2. It is recommended to use 9V high-quality dry battery, such as models 6LR61 or 6F22.
3. There is no battery installed in the battery box in the configuration. It should be purchased by the customer before installation.
4. It is recommended to replace the battery every two years, otherwise there may be a risk of leakage.

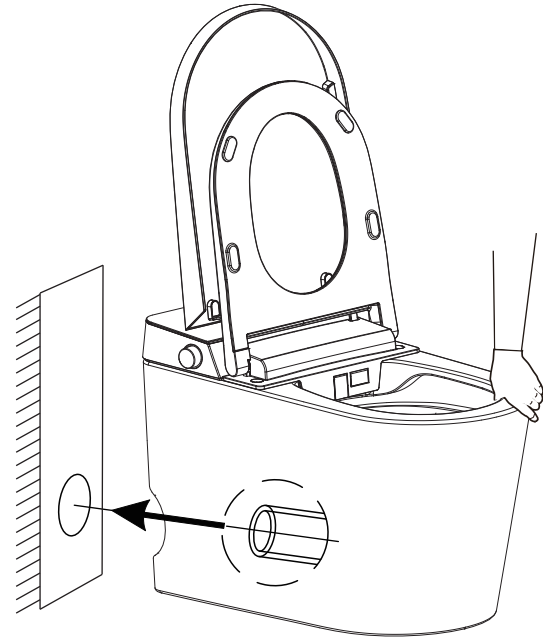
3. Hose

- Connect the water inlet and angle valve of the toilet with the matching hose and tighten it.



4. Ceramic toilet installation

- Confirm that the sewage pipe on the wall matches the toilet.
- Install the toilet into the corresponding position according to the location of the sewage outlet.

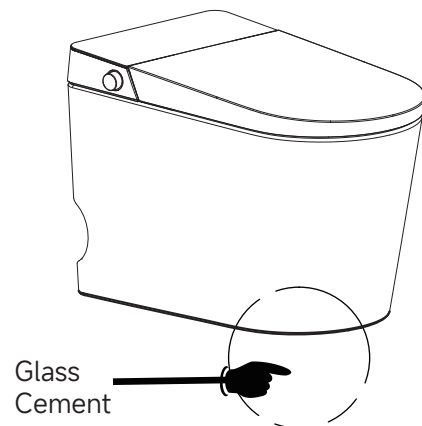


Note:

Because the smart toilet is relatively heavy, two people need to work together to push it in.

5. Glass cement application

- Apply high quality anti-mildew glass glue around the lower edge of the toilet.



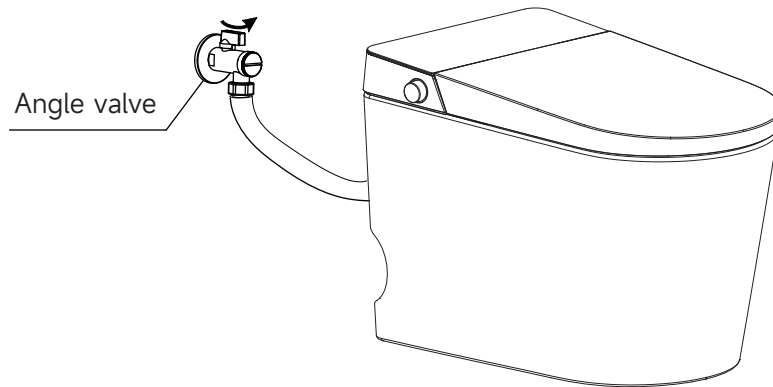
Note:

1. Please clean up the drain outlet;
2. Please make sure ceramic toilet outlet sits perfectly on drain outlet.

Preparation

1. Turn on the angle valve

- Check the threaded connection for leaks to ensure complete sealing. Turn the angle valve counterclockwise to the full open position.
(Note: The angle valve opens with a large torque for the first time.)



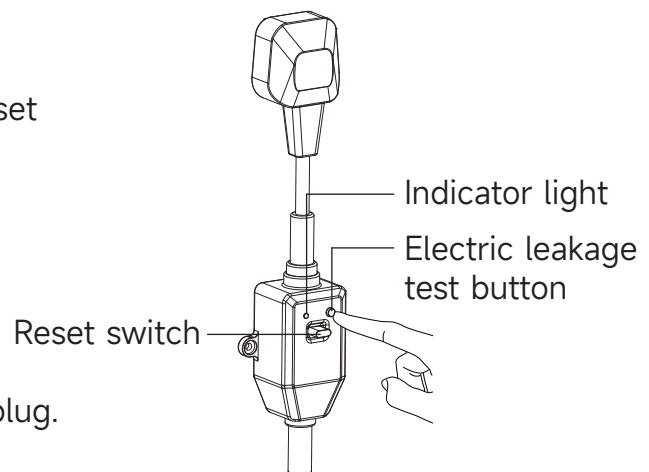
2. Power Connection

- Insert the leakage protection plug into a power socket, press the reset switch, plug indicator lights up, indicating that the power is on.

Note:

Press the test button prior to usage, the reset switch pops up indicating that the leakage protection function is normal.

Press the TEST button (then RESET button) every month to assure proper operation.



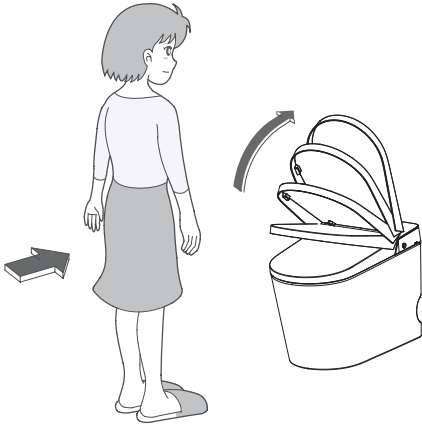
- * Only for models with leakage protection plug.
- * Please refer to the actual product.

3. Self-inspection

1. Once power is connected, the buzzer beeps and the knob lights up in white. All icons on the display light up, and the temperature is displayed at 88. The self-inspection starts.
2. The buzzer beeps again, then the self-inspection completes. The knob lights up in white. Sterilization, water temperature and ECO icons go off and seat temperature icon lights up, showing current seat temperature. The temperature shows "--" at neutral level.
3. The product is ready to use.

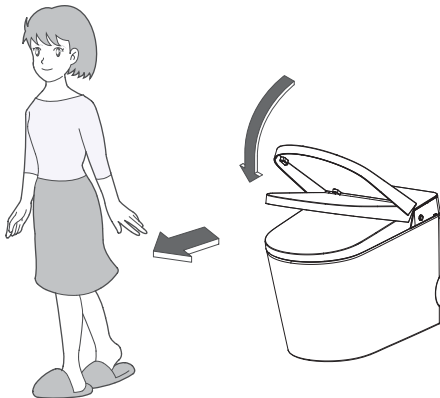
Lid auto open/close

Only for the product with lid auto opening/closing function. On closed situation, so please function the auto lid open/close function by using remote controller.



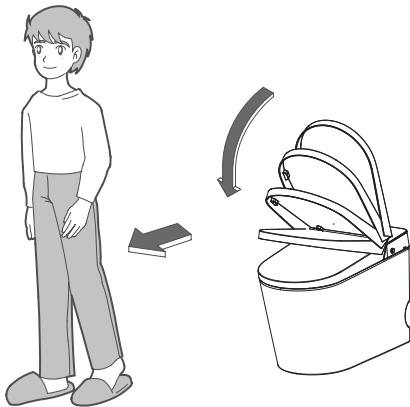
1. Approaching the toilet

When user enters the sensing range, the seat lid opens automatically.



2. Leaving the toilet

The seat lid closes automatically 180 seconds after user leaves.



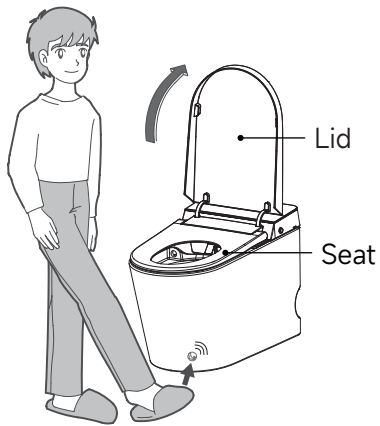
3. Standing up to urinate

1. Open the seat by remote control or hand.
2. The seat and lid close automatically 180 seconds after user leaves.

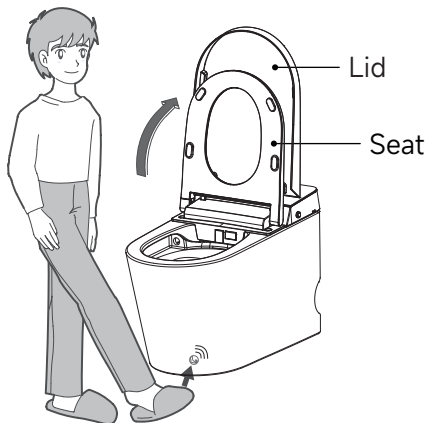
Foot sensor

If the model you purchased is with foot sensor,

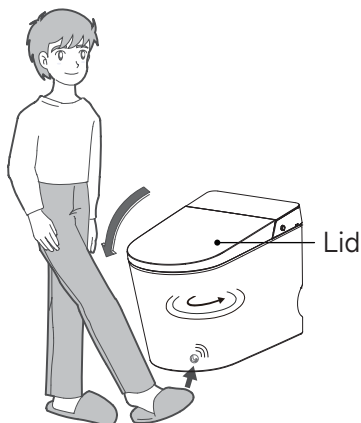
1. When the lid and seat are both closed, touch the sensing area with foot to open the lid.



2. When the lid is open and seat closed, touch the sensing area with foot to open the seat.



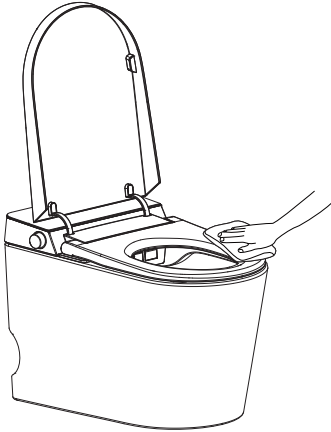
3. When the seat and lid are open, touch the sensing area with foot to close the seat and lid and activate a flush.



Maintenance

Main unit care and maintenance

1. Shut off power supply before doing maintenance.
2. Use only a soft, damp cloth to clean. Avoid using harsh chemicals.

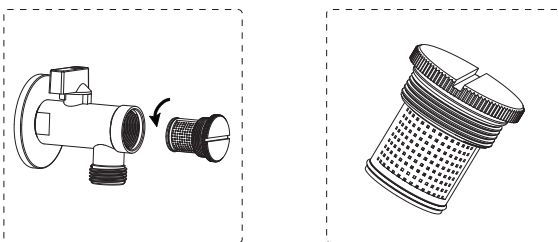


3. Once cleaning is completed and all surfaces are dry, re-connect the power plug.

Filter maintenance

If poor spray performance occurs under normal conditions:

1. Turn off power and the angle valve
2. Unscrew angle valve nut
3. Remove filter net



4. Clean out the filter net under running water using a toothbrush
5. Reinstall filter net and angle valve nut
6. Turn on the angle valve and connect the power

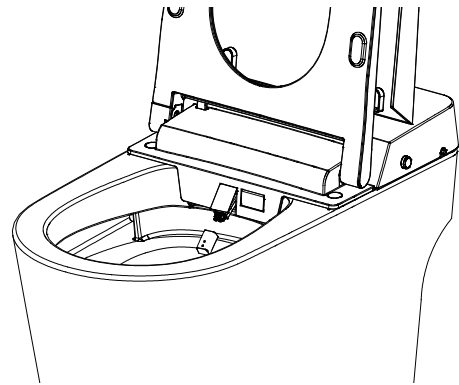
Spray nozzle maintenance and care

1. Nozzle self-cleaning

- When no one is seated, turn the knob clockwise. The nozzle will automatically stretch out to allow access for cleaning.

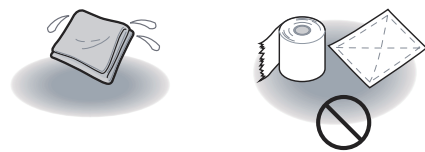
2. Spray nozzle disassembly

- When the nozzle moves forward, the nozzle can be removed and cleaned separately.



3. Use only a soft cloth or soft brush to clean

- Do not pull or push the wand, to avoid damage.



4. Nozzle retraction

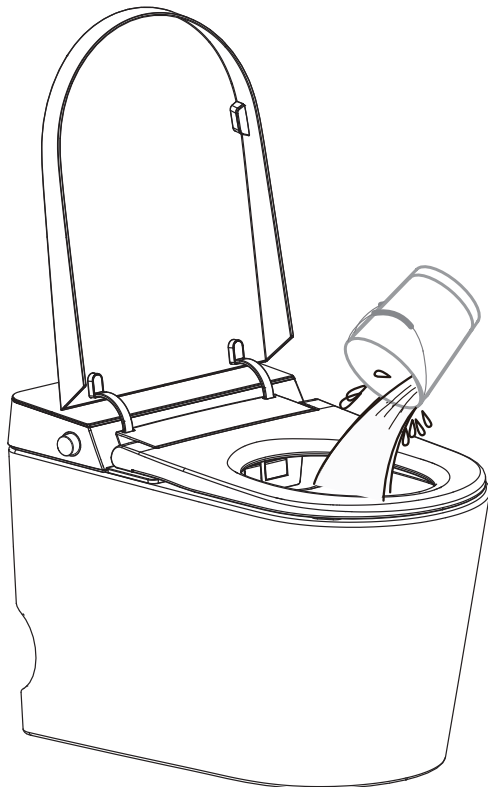
- Put the nozzle back and short press the knob to return the spray wand to its normal position.

Emergency troubleshooting

Power and water failure

- Put around 2.1Gal (8L) water into a barrel and flush the ceramic bowl.

Note: Avoid water spilling from bowl.

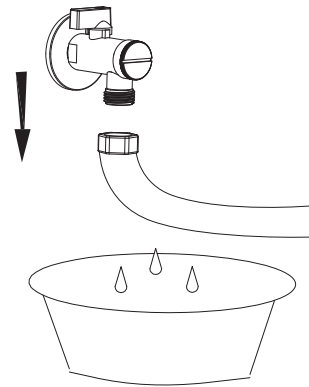


Product unused for a period of time

- When the product is left unused for a long time, especially in cold weather, it is highly recommended to drain the water to prevent freezing.


To discharge water

1. Activate flushing, and then turn off angle valve to stop water supply.
2. Unplug and cut off the electricity
3. Disconnect the hose from angle valve, drain the water and reconnect.



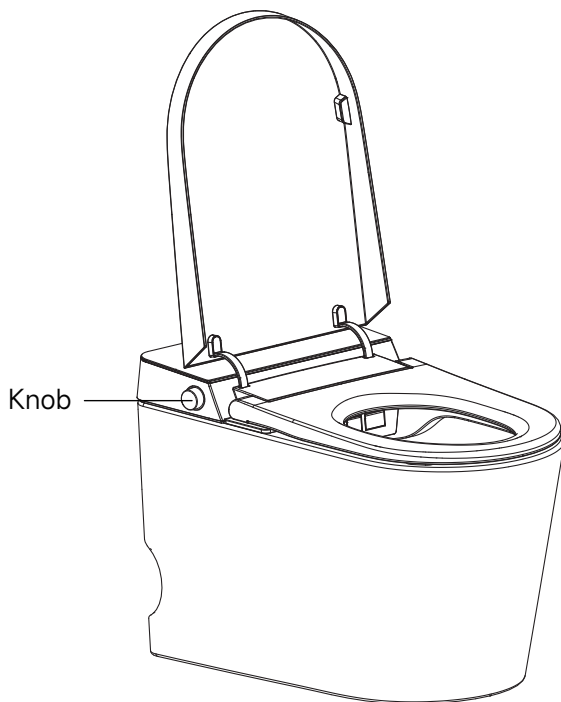
4. For your safety, it is recommended to put antifreeze into the remaining water in the bowl.

* Please turn on power and water supply when using again.

 Note: Before water discharging, the power must be cut off!

Failure of remote control

1. Operate via button on the main unit.



2. Battery replacement

- Remove the remote control from holder.
- Open the battery cover and replace the batteries.
- Put the remote control back.

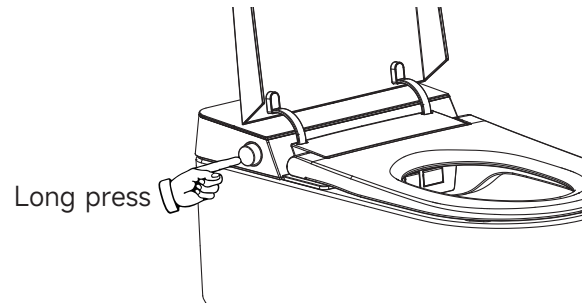
Note:

After battery replacement, the remote control settings will be restored to the defaults. Please reset.

If the toilet with power off flush function.

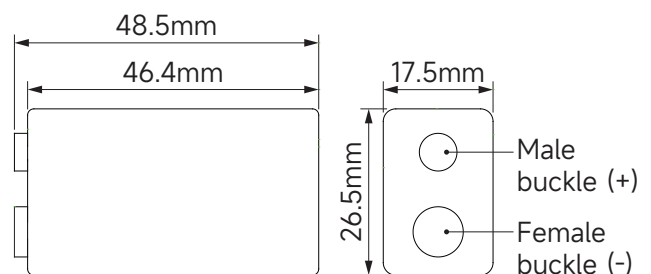
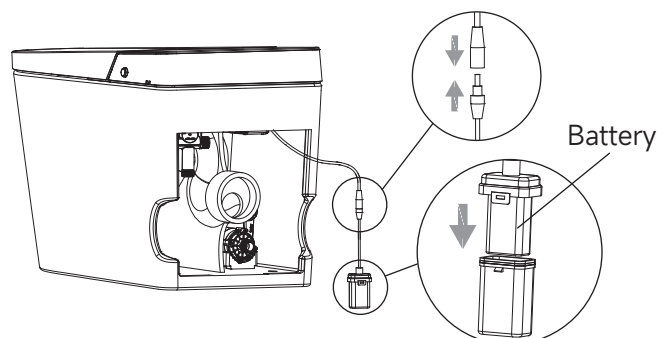
1. No power

- Long press knob on the main unit to flush.



2. Battery replacement

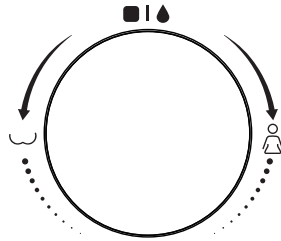
- Unplug DC connector and remove the battery box.
- Install a new 9V alkaline battery.
- Reconnect battery box and put it back.



Note:

1. It is recommended to hire professional personnel for this operation.
2. It is recommended to use 9V high-quality dry battery, such as models 6LR61 or 6F22.
3. It is recommended to replace the battery every two years, otherwise there may be a risk of leakage.

Description of the knob function



1. When seated, turn the knob clockwise to start front washing function, and turn counterclockwise to start rear washing function. Drying and flushing function are activated automatically after first washing completion or pressing knob during washing. When washing again, the same operation only activates drying.
2. When no one is seated, turn the knob clockwise to start manual cleaning function of the nozzle.
3. During rear and front washing, turn the knob clockwise to move the spray wand forward, and counterclockwise to move the spray wand backward; Long press the knob to switch to the water pressure adjustment function. Clockwise rotation increases the water pressure, while counterclockwise rotation decreases the water pressure. (Note: During washing, long press the knob to switch between the functions of water pressure adjustment and spray wand position adjustment.)
4. During drying, clockwise rotation increases air temperature and counterclockwise rotation decreases air temperature.
5. In functional mode, press the knob to stop function in progress: rear washing, front washing, drying or nozzle cleaning. In addition, press the knob to flush the toilet.
6. To enter into standby mode (no seated), press and hold the knob.
7. To enter into functional mode, press and hold the knob.

Note:

Default settings for all functions are intermediate when powering on. Use remote control to switch to the function level set before.

LED display description



sterilization



water temperature



temperature display



seat temperature




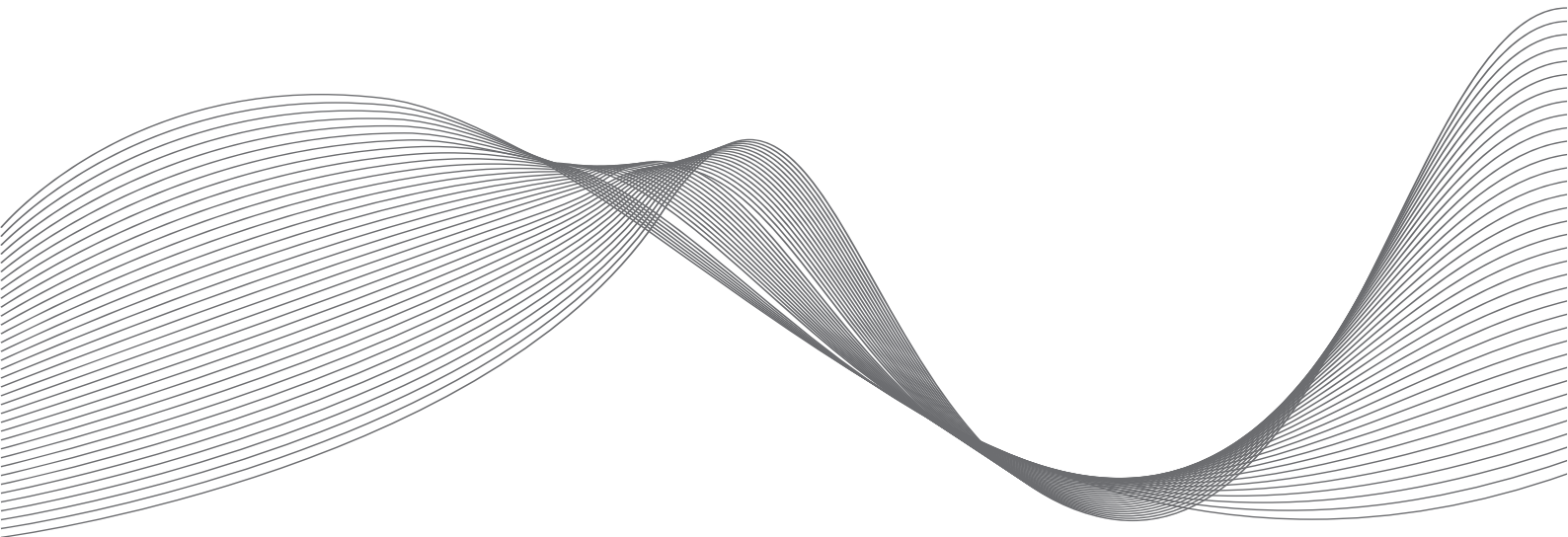
ECO energy saving

Description of LED display:

1. During self-inspection, icons of sterilization, water temperature, seat temperature and ECO light up, and the temperature is displayed at 88. After self-inspection, sterilization, water temperature and ECO icons go off and seat temperature icon lights up, showing current seat temperature. The temperature shows "--" at neutral level.
2. In non-energy-saving mode, seat temperature icon lights up, showing current seat temperature (temperature in neutral shows "--"). During water temperature adjustment, seat temperature icon goes off and water temperature icon lights up, showing current water temperature (temperature in neutral shows "--"). Water temperature icon goes off and seat temperature is displayed after 10 seconds.
3. During washing, seat temperature icon goes off and water temperature lights up, showing current water temperature (temperature in neutral shows "--").
4. Sterilization icon lights up when this function turned on, otherwise it goes off.
5. In energy saving mode, ECO icon lights up. Seat temperature in neutral shows "--", otherwise it shows Level 1.
6. LED display goes off completely when shutting down.
7. Light and LED display go off completely after 30 seconds once no longer being used. When seated or operating knob, knob light and LED display are activated to show current status.
8. When user enters the sensing range, knob light and LED display light up showing current status. And both go off completely 30 seconds after user leaves. (Only for the toilet with lid auto open/close function.)

Troubleshooting guide

Problem	Cause	Solution
No water from nozzle	Water supply hose is kinked	Straighten the hose to remove the kink
	Angle valve is off	Turn on the angle valve
	A water failure occurred	Restore the water supply
Poor water spraying	Water supply hose is kinked	Straighten the hose to remove the kink
	Angle valve is not fully turned on	Turn on the angle valve fully
	Filter is clogged	Clean the filter
Low water temperature	The water temperature is not set properly	Adjust the water temperature
Low seat temperature	The seat temperature is not set properly	Adjust the seat temperature
	In standby mode or energy saving mode	Switch to functional mode and wait for 3+ minutes
Low dryer temperature	The dryer temperature is not set properly	Adjust the dryer temperature
Dryer not blowing	In standby mode	Switch to functional mode to use dry function
Spray wand cannot retract	Power off	Push back the spray wand gently and put power on
	Get stuck by impurities	Remove the impurities
Spray wand cannot stretch out	Power off	Turn on the power
	User is not within the sensing area of the seat	Adjust position on seat to activate the sensor
Remote control cannot display	The positive and negative direction of the batteries is incorrect	Reload the batteries
	Low battery	Replace new batteries
Malfunction of deodorization	User is not within the sensing area of the seat	Adjust position on seat to activate the sensor
	Deodorization function continues after user leaves.	It is normal for the deodorizing function to continue operating after user leaves, for complete odor removal
Manual flushing cannot work during power failure (Suitable for fuction with power off flush)	No or low battery	Replace new batteries for power failure flushing
 Caution	If the problem cannot be resolved as per above solutions, please disconnect the power and contact service providers.	
	If the power leakage protection switch always trips, it means that the product is leaking. Please disconnect the power and contact service providers.	



The picture of product may not be entirely consistent with actual appearance and color because of product improvements, please in kind prevail.